

THIS DRAWING IS UNPUBLISHED.

RELEASED FOR PUBLICATION SEPT , 2006.

© COPYRIGHT 2006 By -

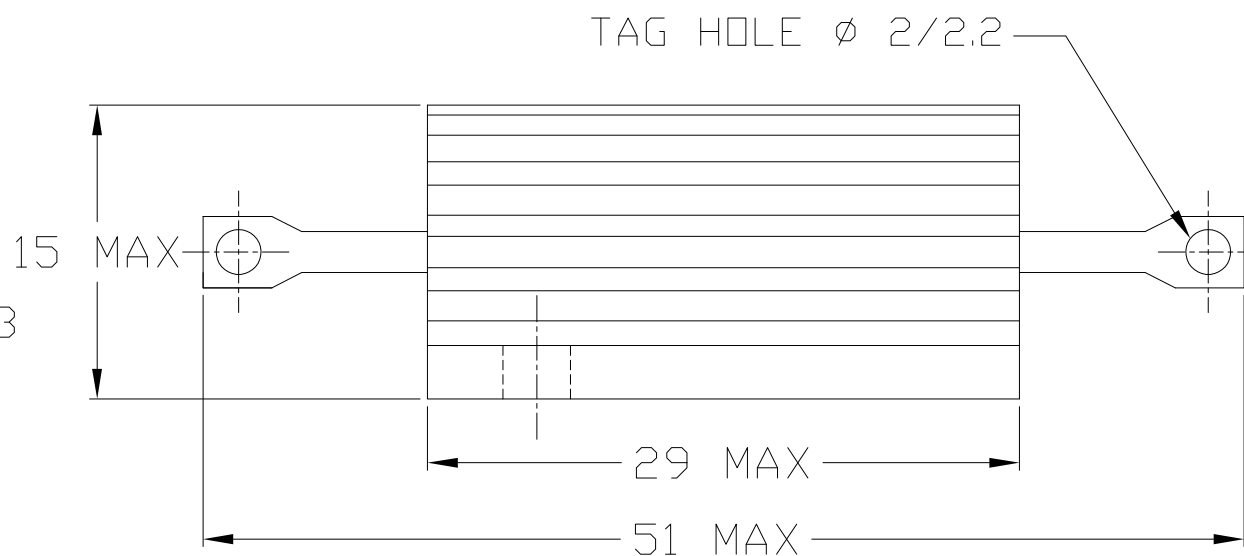
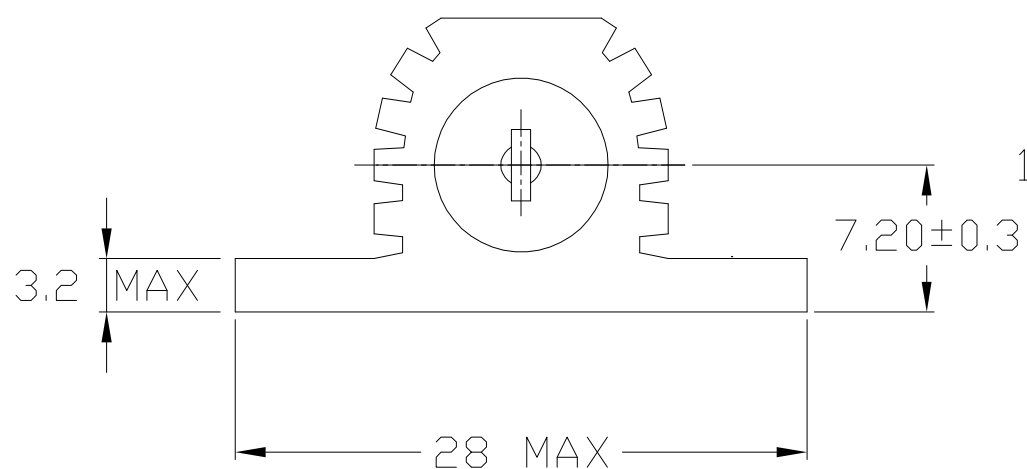
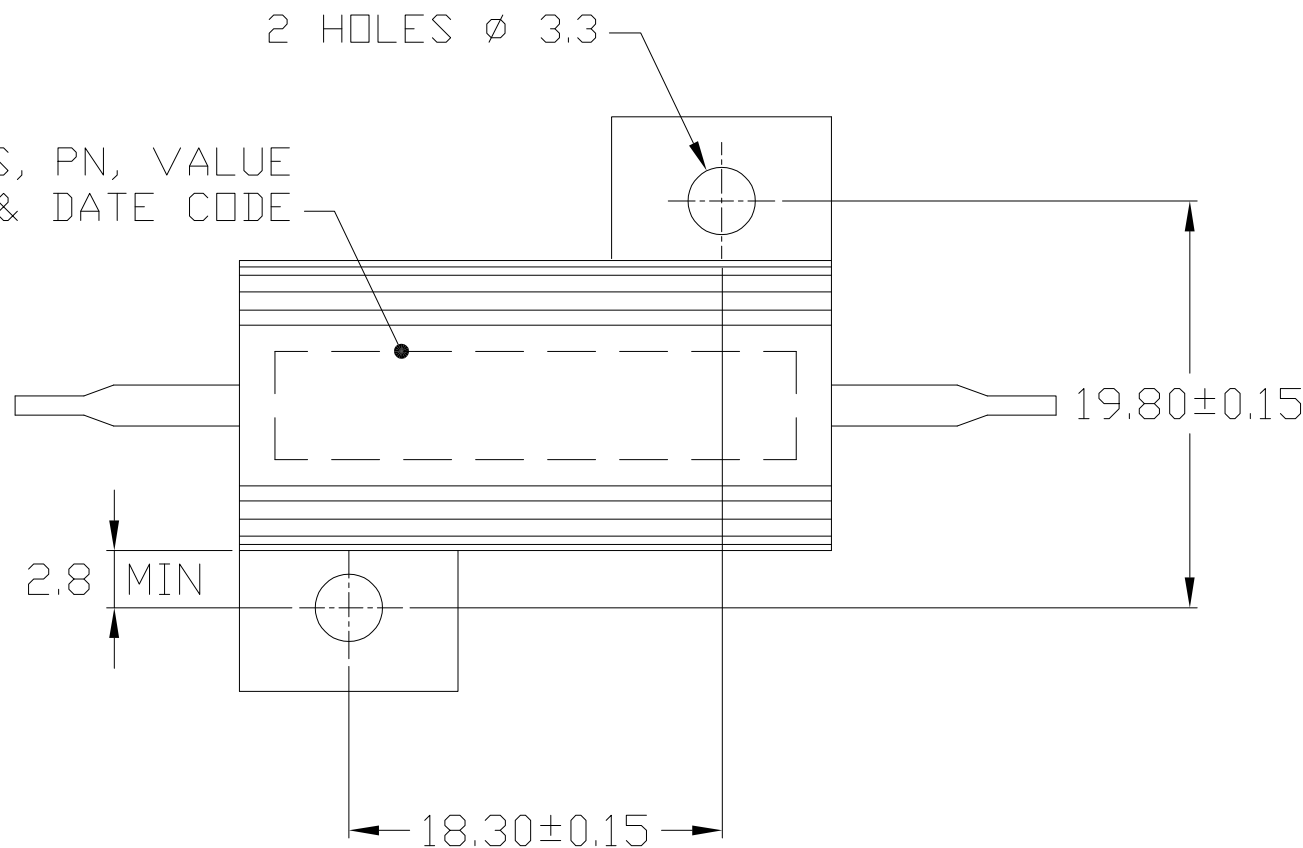
ALL RIGHTS RESERVED.

LOC	DIST	REVISIONS			
P	LTR	DESCRIPTION	DATE	DWN	APVD
E	B	A1	REVISED PER ECO-11-005150	21MAR11	RK HMR

### TECHNICAL SPECIFICATION

DISSIPATION AT 25° C 25 WATTS MOUNTED ON STD HEATSINK  
 BS OHMIC RANGE R01 TO 20K  
 STABILITY ΔR ≤1% per 1000hrs  
 ISOLATION VOLTAGE 2500V DC/AC pk  
 MAX WORKING VOLTAGE 550V DC/AC rms  
 TEMP COEFFICIENT <100R ±50ppm/°C  
 >100R ±30ppm/°C  
 CLIMATIC CATAGORY 55/200/56

TYCO, CGS, PN, VALUE  
 TOLERANCE & DATE CODE



FOR A SPECIFIC PN FOR A RESISTANCE VALUE AND TOLERANCE, PLEASE REFER TO DMF.

**RoHS Compliant**

THIS DRAWING IS A CONTROLLED DOCUMENT.		DWN R BLANCH 19SEPT06	<b>STE</b> TE Connectivity		
DIMENSIONS: mm		CHK J CATCHPOLE 19SEPT06			
TOLERANCES UNLESS OTHERWISE SPECIFIED:		APVD J CATCHPOLE 19SEPT06	NAME THS25 METAL CLAD RESISTOR		
0 PLC ± 0.5		PRODUCT SPEC	-		
1 PLC ± 0.2		APPLICATION SPEC	-		
2 PLC ± 0.1		WEIGHT	SIZE A3	CAGE CODE 00779	DRAWING NO C-1879075
3 PLC ± -		MATERIAL -	RESTRICTED TO -		SCALE NTS
4 PLC ± -			SHEET 1 OF 1		
ANGLES ± 5°		CUSTOMER DRAWING		REV A1	